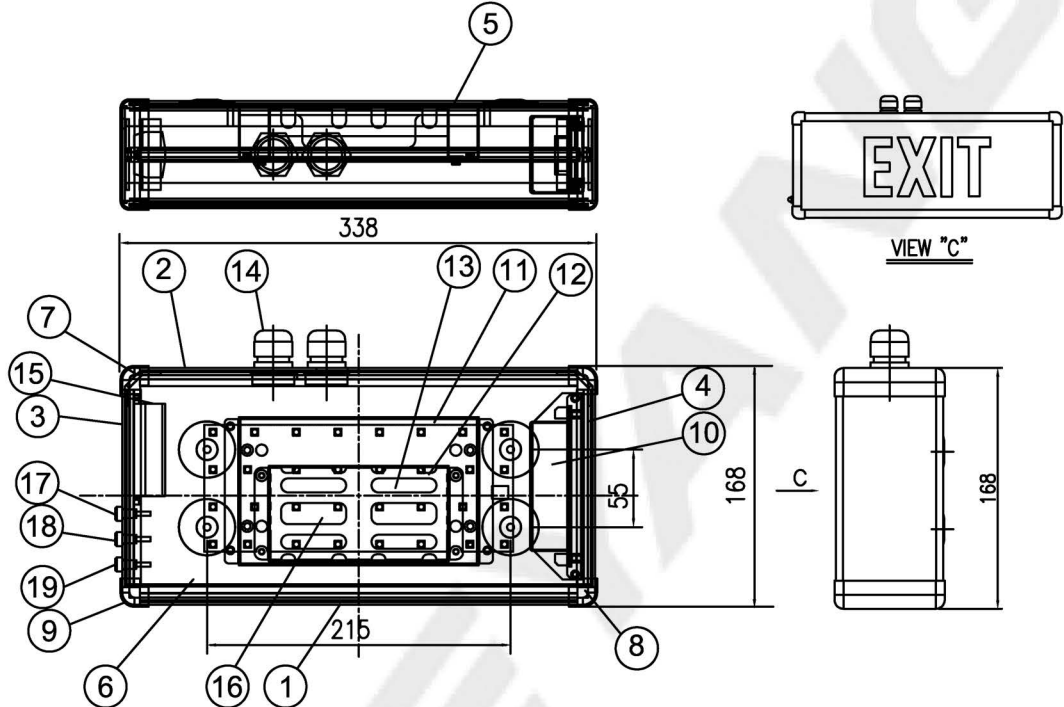


CAPACITY	SYMBOL/ SERIAL NO.	CIRCUIT DIAGRAM
AC100-240V, 50/60Hz		
5W		



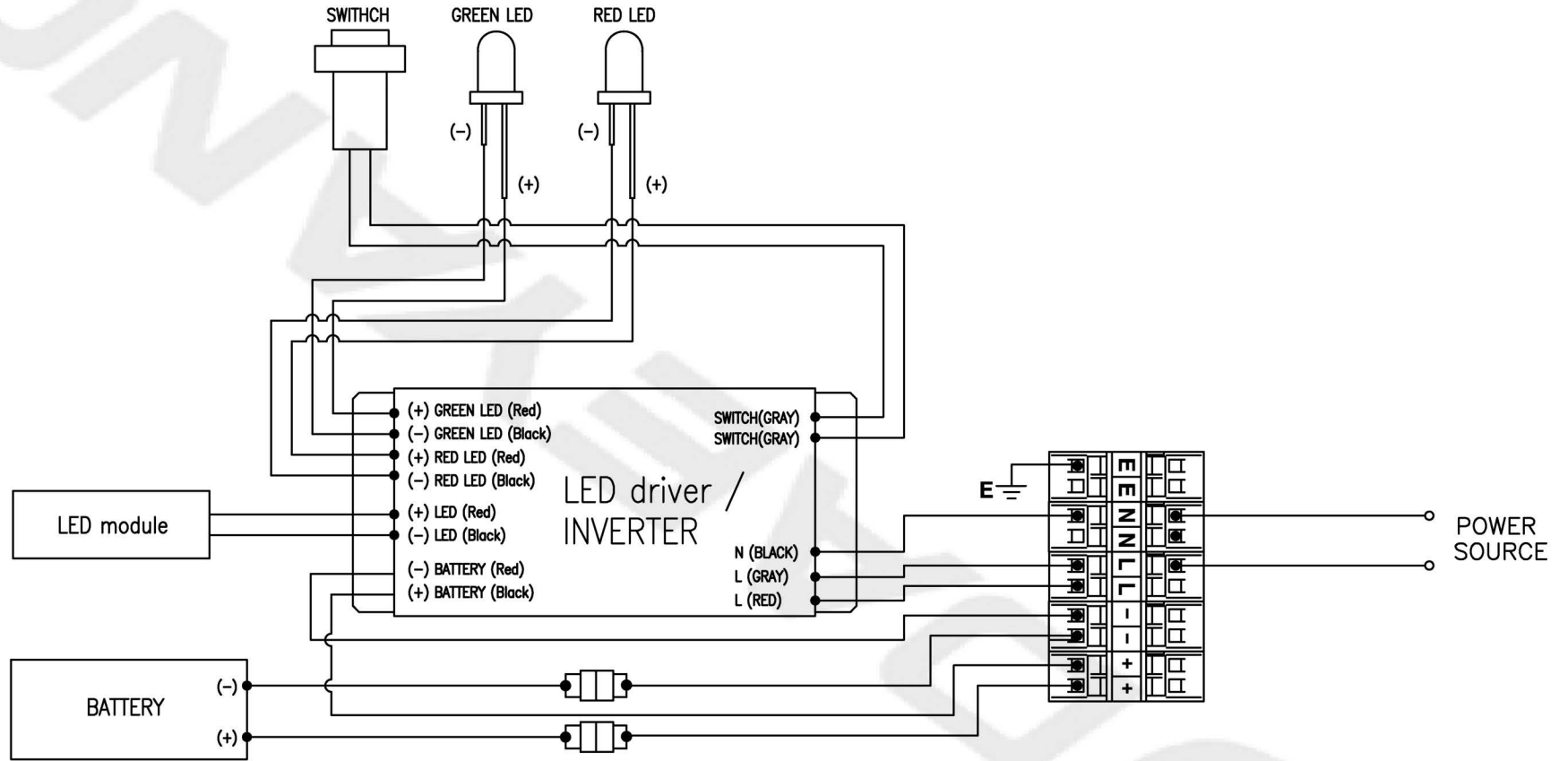
POWER STATUS	BATTERY STATUS	INDICATION LAMP COLOR STATUS	
		GREEN LED STATUS	RED LED STATUS
NORMAL POWER STATE	FULL CHARGING	ON	OFF
NORMAL POWER STATE	CHARGING	ON	OFF
EMERGENCY POWER STATE	DISCHARGING	OFF	OFF
EMERGENCY POWER STATE	FULL DISCHARGING	OFF	ON

- * RED LED LIGHTS IN THE FOLLOWING SITUATIONS.
- BATTERY IS DISCONNECTED.
 - SOMETHING UNEXPECTED OCCURRED IN THE BATTERY.
- * BATTERY BACK-UP CAN CONFIRM BY PRESSING THE SWITCH DURING NORMAL POWER OPERATION.
- * CHARGING TIME : 32 hours, DISCHARGING TIME 3 hours

NO	NAME OF PARTS	MATERIAL	Q'TY	REMARKS	NO	NAME OF PARTS	MATERIAL	Q'TY	REMARKS
19	INDICATION LAMP	-	1	RED	10	LED driver CASE	STEEL	1	
18	INDICATION LAMP	-	1	GREEN	9	SIDE COVER	POLYCAR-BONATE	4	
17	NORMAL CLOSE SWITCH	-	1		8	LOWER BRACKET	ALUMINIUM	2	
16	LED module	-	1		7	UPPER BRACKET	ALUMINIUM	2	
15	TERMINAL BLOCK	-	1	CLAMPING 5P	6	SIGN COVER	ACRYL	1	
14	CABLE GLAND(PG16)	-	2	ø12~ø16	5	REAR COVER	STEEL	1	
13	BATTERY	Ni-Cd	1		4	RIGHT BODY	ALUMINIUM	1	
12	BATTERY CASE	STEEL	1		3	LEFT BODY	ALUMINIUM	1	
11	LED module BRACKET	STEEL	1		2	UPPER BODY	ALUMINIUM	1	
					1	LOWER BODY	ALUMINIUM	1	

APPROVED	B. K. KIM	UNIT	MM	TITLE; LED EXIT LIGHT (SURFACE, BATTERY BACKUP TYPE) FOR MARINE USE			
CHECKED		SCALE	N/S				
DRAWING	B. I. KIM	COLOR	N-9.3				
DATE	2018.11.09	IP	44				
				MODEL NO.	LEXIT105SS-0550AB-E	WEIGHT	3.5 Kg
				DWG NO.	LO5110016	SHEET NO.	7

NO	CONTENT	DATE	REVISER	APPROVAL
△				
△				
△				



TITLE: LEXIT105SS-0550AB-EMD				SCALE	N/S	UNIT	MM	NO.	REVISED
CIRCUIT DIAGRAM				PROJECT METHOD	WEIGHT	KG		△	
								△	
APPROVED				B. K. KIM				MATERIAL	ASS'Y
								CHECKED	B. I. KIM
DRAWN				DATE				SHEET NO.	
				2018.11.09					